

Video Monitor VM1-series

The VM1 is a railway suitable monitor for visualization of digital information transmitted via standard interfaces, here DVI-D or Display Port. As usual for GERSYS, the monitor is equipped with a wide range power supply and complies with the railway standard EN50155.

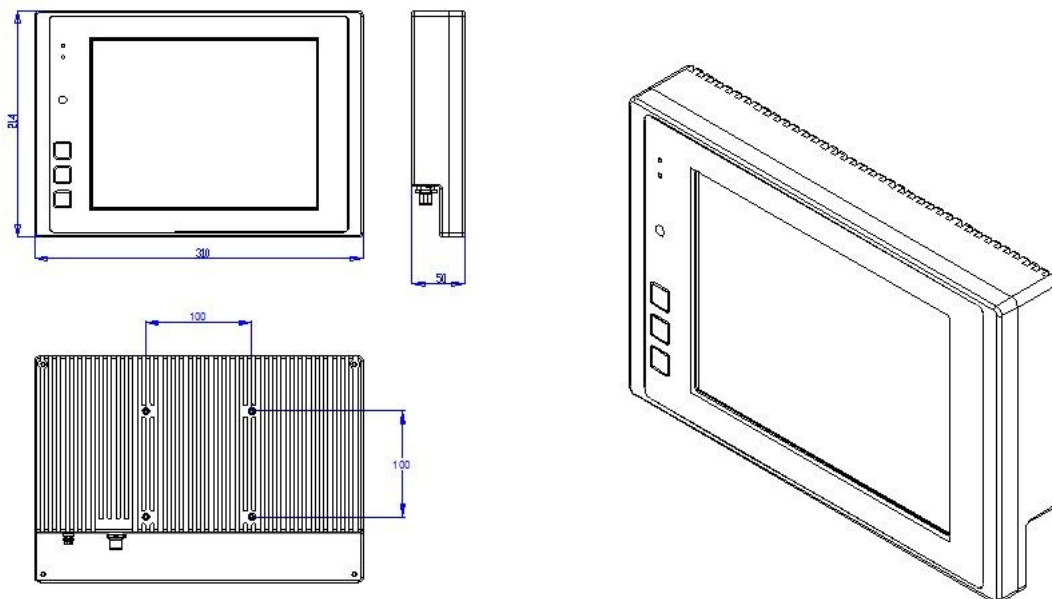


At a glance

- 10.4" TFT display
- XGA resolution, LED backlight
400 cd/m² (optional 800 cd/m²)
- input signal via DVI-D or Display Port (DP)
- wide range power supply 24-110V DC (+/- 40%)
- light sensor for automatic brightness control
- hard keys for manual brightness control
- VESA-100 mounting on back side

Specifications

Specifications	VM1-series
Display	104" TFT display, XGA 1024 x 768 Viewing angle 80°, all-around LED-Backlight, 400 cd/m ² Optional: 800 cd/m ²
Brightness control	Automatic and/or manual brightness control 3 hard keys on front (+, -, automatic)
Input signal	DVI-D or Display Port (DP), optional HDMI and VGA
Interfaces	DVI-D or DP connector (additional cable relief for DP)
Environment Controller	Temperature and power management Status and diagnostic LEDs on front (low/high temperature and key confirmation)
Power supply	Wide range power supply 24 – 110V DC (+/- 40%), max. 20W
Operating temperature	-25°C up to +70°C (T3) Optional: -40°C up to +70°C (extended TX range, pre-heating if necessary)
Protection / EN60529	IP 54 (all-around, except connectors)
Standards / Norms	EN 50155, EN 50121-3-2, EN 60068, EN 61373, EN 45545
Dimensions WxHxD	310 x 214 x 50 mm, VESA-100 mounting
Options (on request)	Touch screen or keyboard (terminal functionality) Customized front plate dimensions (panel mounting) Front foil with customer logo, integrated speaker



Contact

GERSYS GmbH
Hans-Urmiller-Ring 12a
82515 Wolfratshausen / Germany

phone.: +49 8171 / 38626 – 0
fax: +49 8171 / 38626 – 99
Web: <http://www.gersys.com>
e-mail: sales@gersys.de